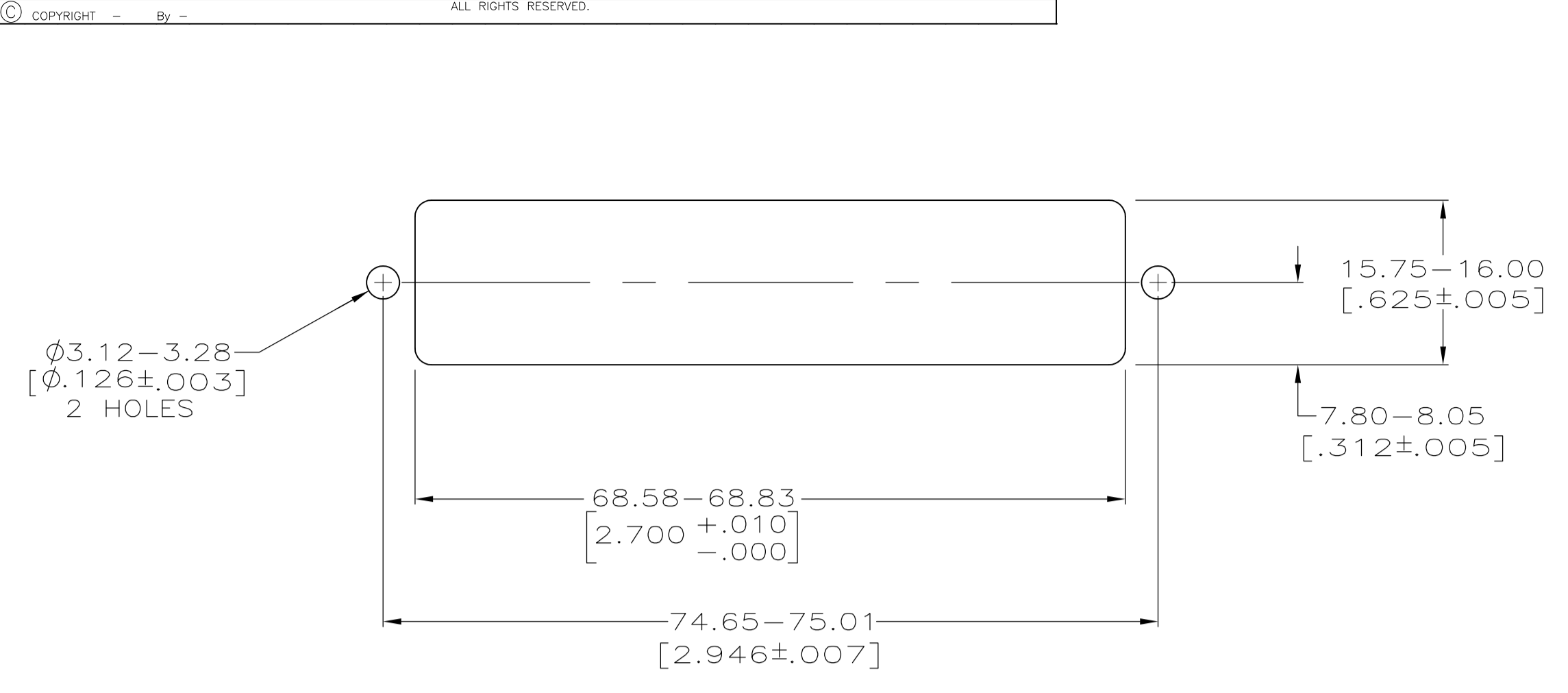
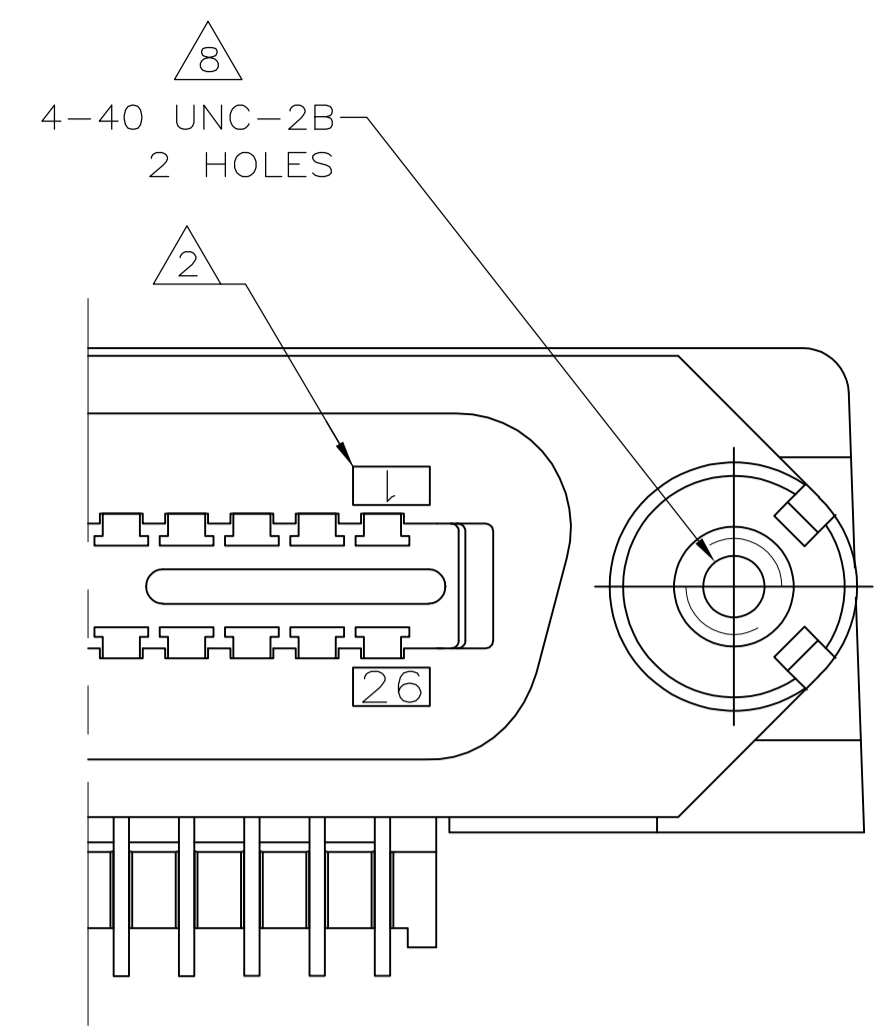


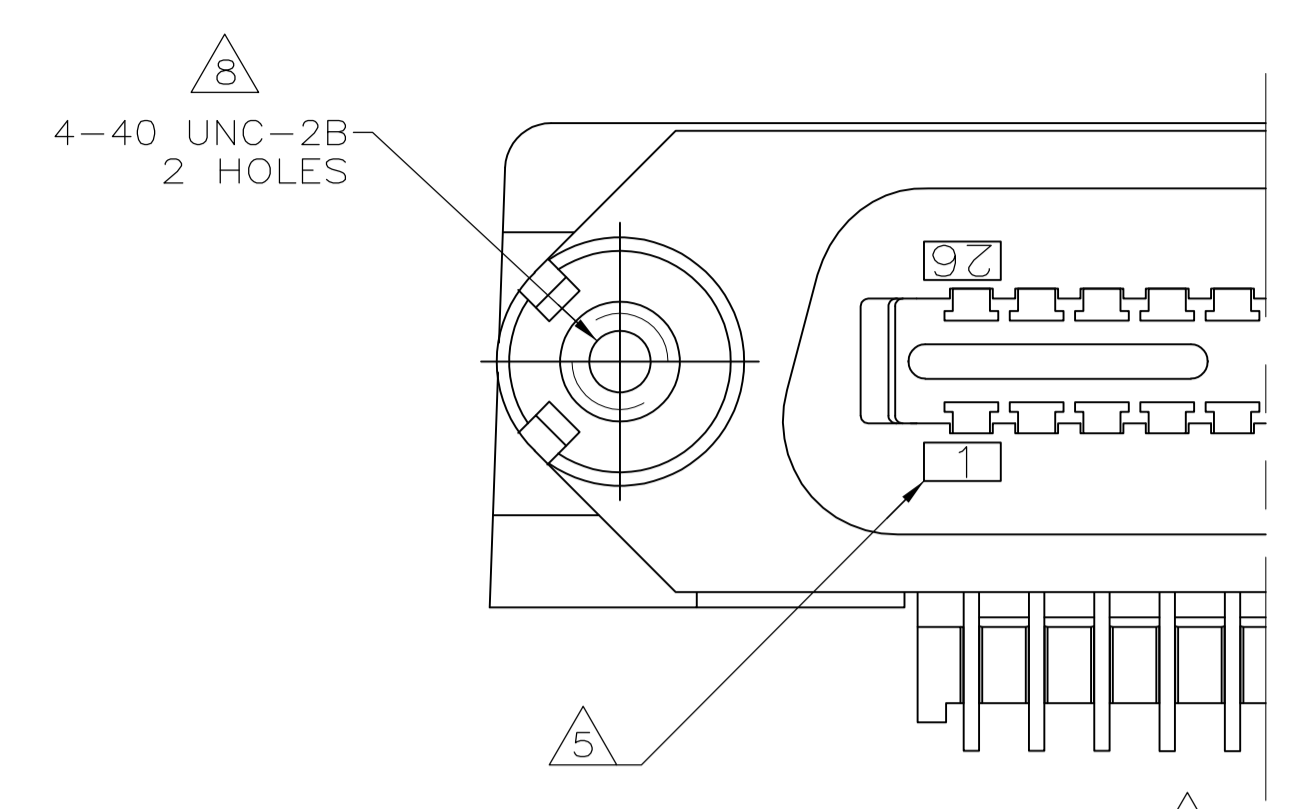
LOC	DIST	REVISIONS			
GP	00	REV	DESCRIPTION	DATE	BY
E1	REVISED PER ECO-11-005033			23MAR11	RK HMR



SUGGESTED REAR PANEL MOUNTING CUTOUT DIMENSIONS SCALE 2:1

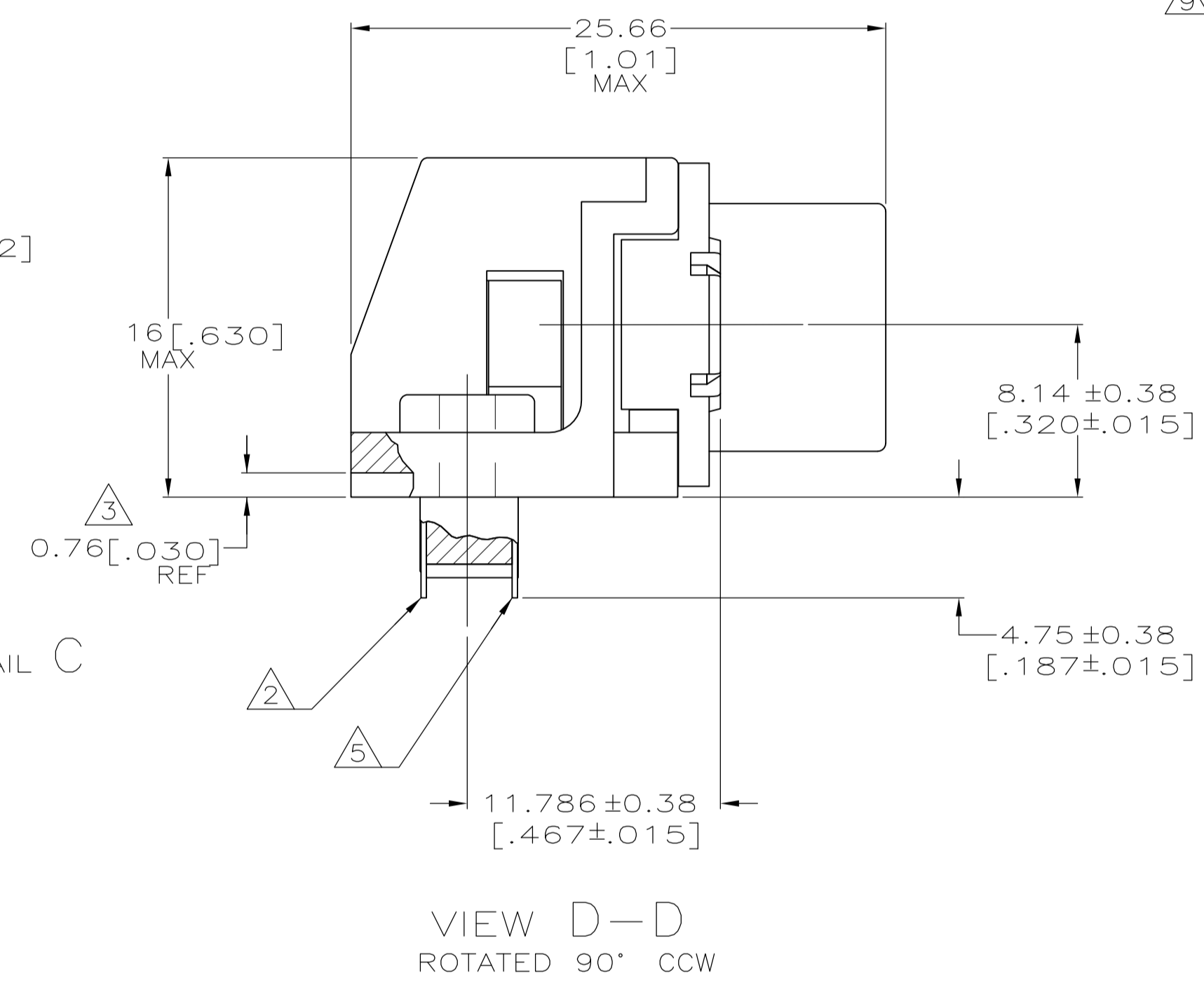
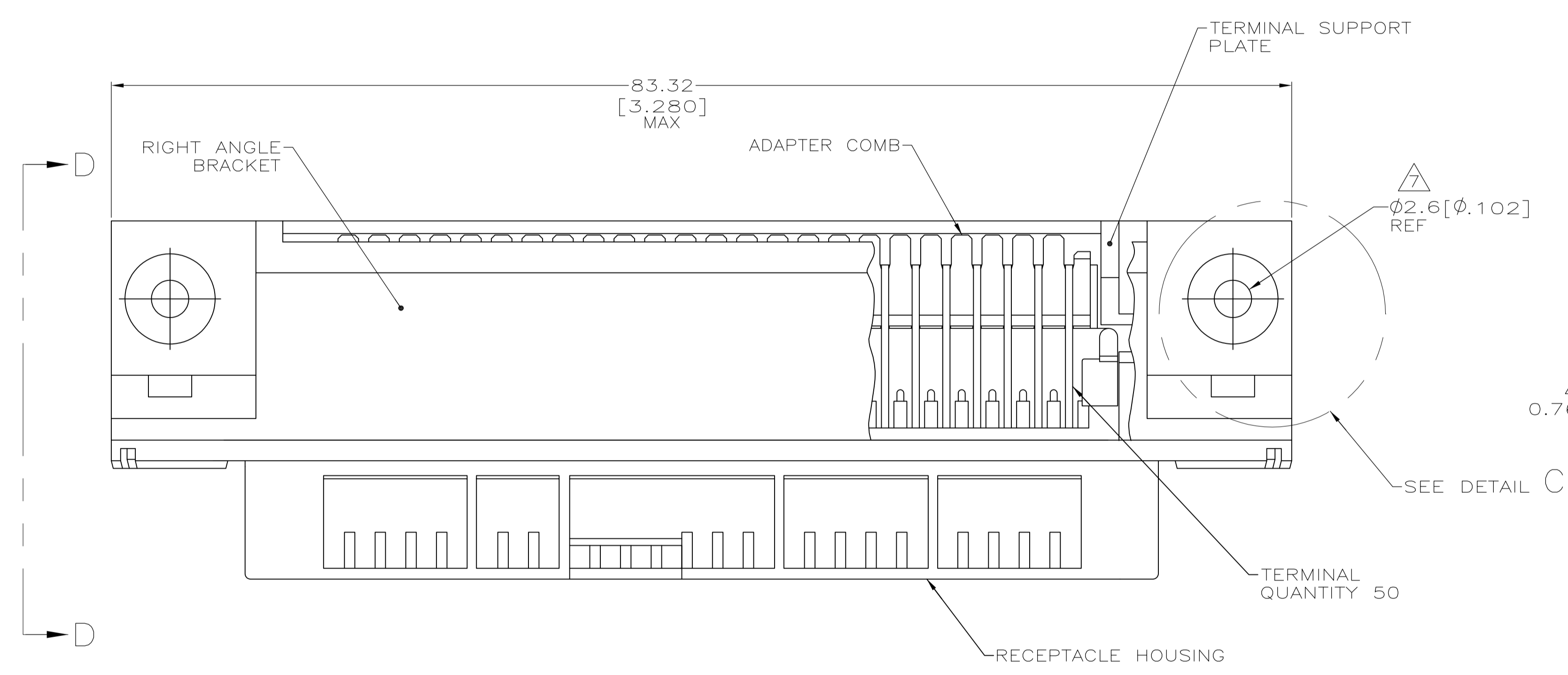


DETAIL A STANDARD ORIENTATION

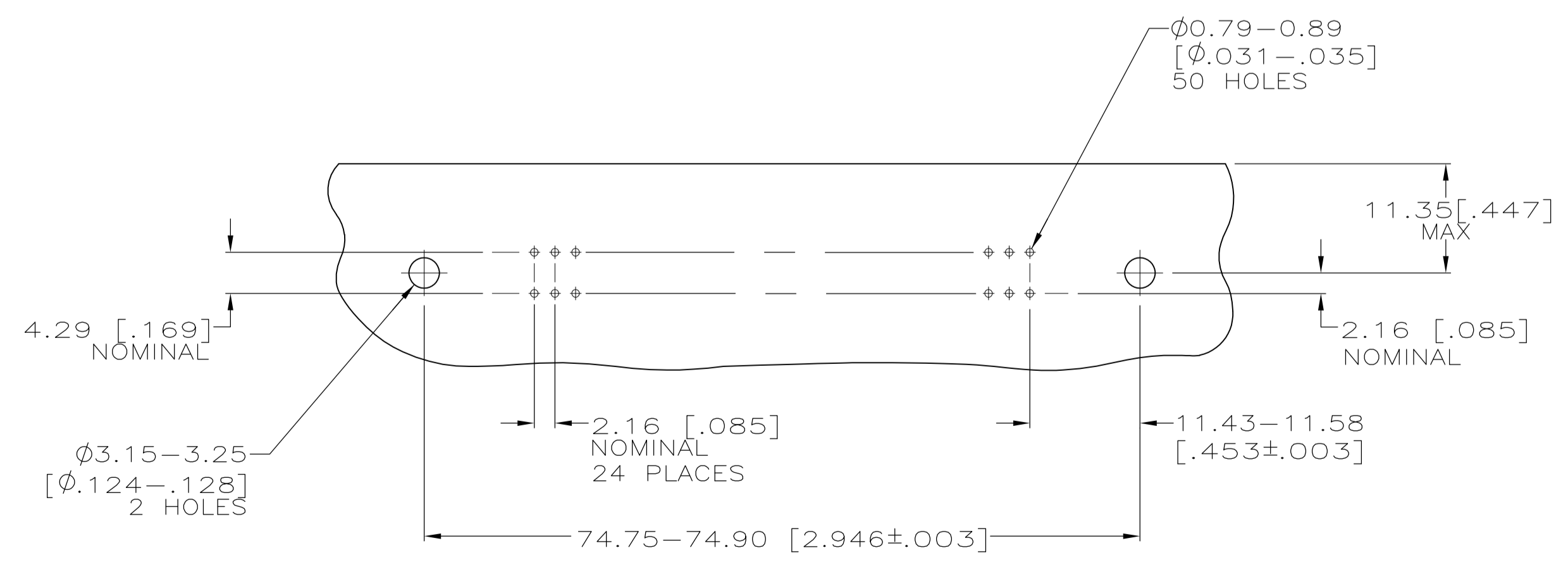


DETAIL B REVERSE ORIENTATION

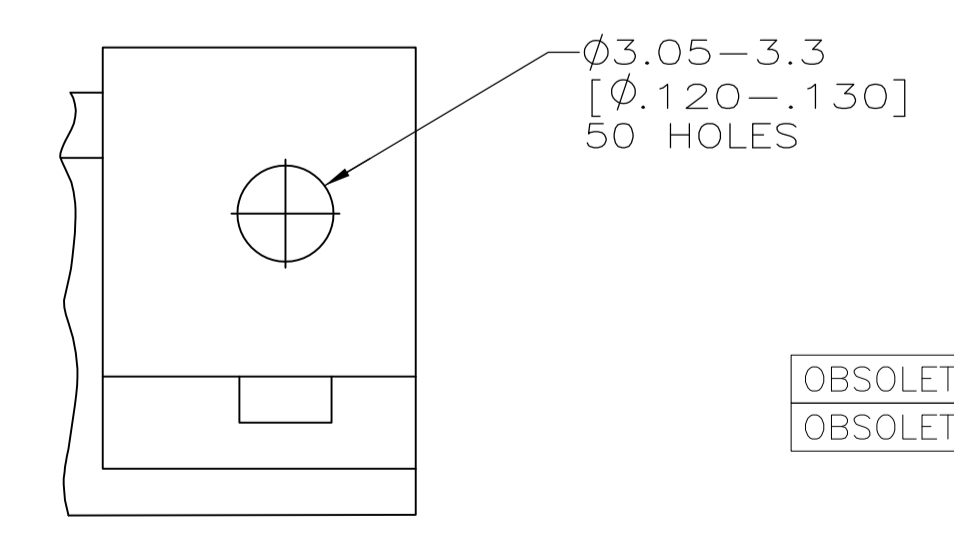
- △ MATERIAL: HOUSING, BRACKET, PLATE & COMB - THERMOPLASTIC, BLACK, 94V-0 RATED. TERMINALS- HIGH STRENGTH COPPER ALLOY PLATED WITH EITHER 0.76µm [.000030] MIN GOLD PLATE OR GOLD FLASH OVER PALLADIUM NICKEL PLATE, 0.76µm [.000030] MIN TOTAL ON MATING SURFACE. 3.05µm [.000120] MIN TIN ON TAILS. ALL OVER 1.27µm [.000050] MIN NICKEL UNDERPLATE OVER ENTIRE TERMINAL. THREADED INSERT- #4-40 UNC, BRIGHT ZINC PLATED BRASS.
- △ TERMINAL 1 IS LOCATED IN THIS ROW FOR STANDARD ORIENTATION, 5552725-1, -2, -5 & -7.
- △ TERMINAL SUPPORT PLATE CLEARANCE FOR TERMINAL STRAIN RELIEF AND FLUX REMOVAL.
- △ MAXIMUM PANEL THICKNESS: 1.57[.062].
- △ TERMINAL 1 IS LOCATED IN THIS ROW FOR REVERSE ORIENTATION, 5552725-3 AND -6 ONLY.
- △ DETAILS "A" AND "B" ARE VIEWED FROM MATING SIDE OF RECEPTACLE ASSEMBLY.
- △ FOR USE WITH A NO.4 BT TYPE SELF-TAPPING SCREW.
- △ 5552725-1,-2 AND -3 ARE TAPPED 4-40; -5,-6 & -7 USE 4-40 THREADED INSERTS.
- △ INSERT SHALL WITHSTAND 8 INCH-POUNDS OF TORQUE WITHOUT CRACKING HOUSING OR LOOSENING.



VIEW D-D ROTATED 90° CCW



SUGGESTED PRINTED CIRCUIT BOARD MOUNTING DIMENSIONS SCALE 2:1



DETAIL C (THRU-BOLT)

OBsolete	THREAD TYPE	TYPE OF MOUNTING	DESCRIPTION	PART NUMBER
OBsolete	THREADED INSERT	THRU-BOLT(SEE DETAIL C)	SEE DETAIL A	5552725-7
OBsolete	THREADED INSERT	SELF-TAPPING	SEE DETAIL B	5552725-6
OBsolete	THREADED INSERT	SELF-TAPPING	SEE DETAIL A	5552725-5
	TAPPED HOLE	SELF-TAPPING	SEE DETAIL B	5552725-3
	TAPPED HOLE	THRU-BOLT(SEE DETAIL C)	SEE DETAIL A	5552725-2
	TAPPED HOLE	SELF-TAPPING	SEE DETAIL A	5552725-1

THIS DRAWING IS A CONTROLLED DOCUMENT.

DIMENSIONS: mm (INCHES)	TOLERANCES UNLESS OTHERWISE SPECIFIED:	DL DRUMMOND 18 AUG 97	DL DRUMMOND 25 AUG 97	DL DRUMMOND 25 AUG 97	DL DRUMMOND 25 AUG 97
0 PLC ± -	1 PLC ± -	2 PLC ± -	3 PLC ± 0.13(.005)	4 PLC ± -	ANGLES ± -

MATERIAL: 1 FINISH: 1

THIS DRAWING IS A CONTROLLED DOCUMENT. DL DRUMMOND 18 AUG 97 DL DRUMMOND 25 AUG 97 DL DRUMMOND 25 AUG 97 DL DRUMMOND 25 AUG 97

RECEPTACLE ASSEMBLY, 50 POSITION, RIGHT ANGLE, SELF TAPPING, CHAMP®

SIZE: A1 CAGE CODE: 00779 DRAWING NO: 5552725

CUSTOMER DRAWING SCALE: 4:1 SHEET: 1 OF 1 REV: E1